

**WATER FALL Cascade spout for wall mounting - Light Gold**

IMO

13 420 979



- 120mm projection
- CASCADE, max. flow rate 26.5 l/min (at 3 bar)
- cover plate 240 x 60 mm
- 1/2" connection
- plug-link mounting

Fits: IMO, LULU, MADISON, MEM, TARA, CL.1, LISSÉ, VAIA, META, CYO

|   |                                |               |
|---|--------------------------------|---------------|
|    | Light Gold                     | 13 420 979-26 |
|    | Chrome                         | 13 420 979-00 |
|    | Brushed Platinum               | 13 420 979-06 |
|    | Platinum                       | 13 420 979-08 |
|    | Dark Chrome                    | 13 420 979-19 |
|    | Brushed Light Gold             | 13 420 979-27 |
|    | Brushed Durabronze (23kt Gold) | 13 420 979-28 |
|    | Matte Black                    | 13 420 979-33 |
|    | Brushed Bronze                 | 13 420 979-42 |
|   | Brushed Champagne (22kt Gold)  | 13 420 979-46 |
|  | Champagne (22kt Gold)          | 13 420 979-47 |
|  | Brushed Chrome                 | 13 420 979-93 |

**Required miscellaneous**

**Concealed adapter -**

35 080 970-90  
0010



13 420 979

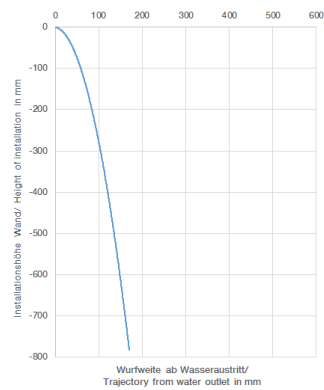
mm [inches]



**Flow rate chart**



**Trajectory diagram**



**Codes & Standards**

- ASME
- A112.18.1/CSA
- B125.1



WATER FALL Cascade spout for wall mounting - Light Gold

---

IMO

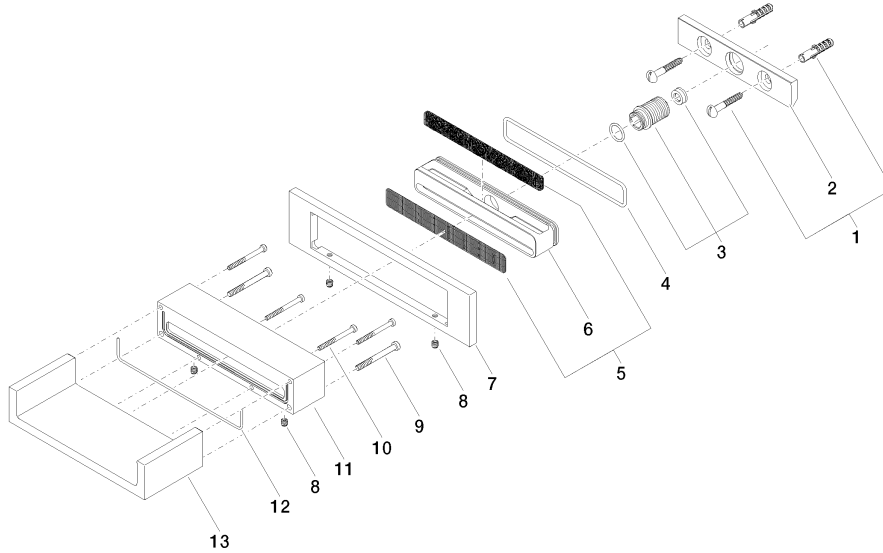
13 420 979

Certificates

---

LGA\_18615.

13 420 979



### Spare parts list

| No. | Item Number        | Name        | Quantity used | Delivery time |
|-----|--------------------|-------------|---------------|---------------|
| 1   | 04 30 31 024 01 90 | fixing set  | 1             | 2             |
| 2   | 09 17 97 056 90    | holder      | 1             | 2             |
| 3   | 90 24 05 008 00 90 | nipple set  | 1             | 2             |
| 4   | 09 14 10 504 90    | seal        | 1             | 2             |
| 5   | 90 29 30 040 00 90 | insert      | 1             | 2             |
| 6   | 09 17 11 044 20 90 | distributor | 1             | 2             |
| 7   | 09 27 97 034-26    | rosette     | 1             | 60            |
| 8   | 09 31 11 049 90    | pin         | 4             | 2             |
| 9   | 09 30 30 147 90    | screw       | 2             | 2             |
| 10  | 09 30 30 086 90    | screw       | 4             | 2             |
| 11  | 09 30 01 104-26    | casing      | 1             | 60            |
| 12  | 09 14 03 504 90    | seal        | 1             | 2             |
| 13  | 09 11 94 046-26    | spout       | 1             | 60            |